

Data Sheet

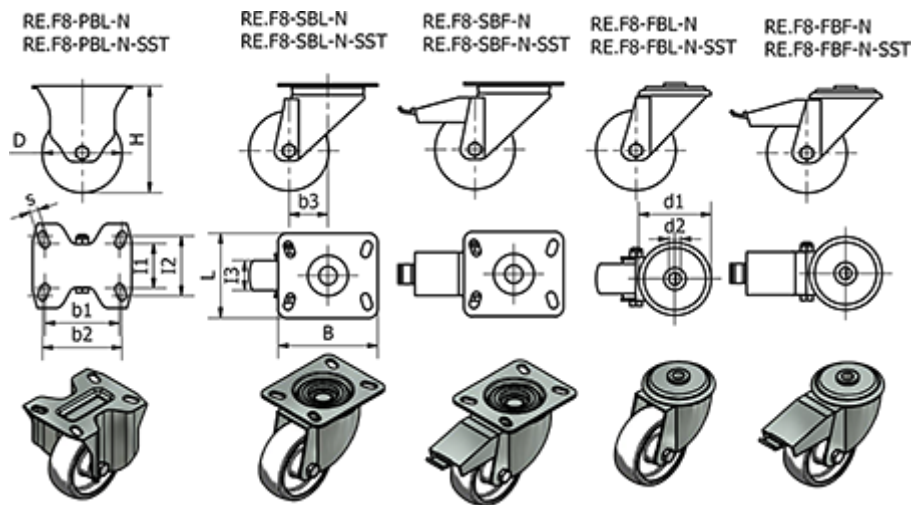


Article number: 2314450621

Description: E+G polyamide wheel

RE.F8-200-SBF-N - Turning plate w/brake in Zinc-plated steel

Measures



= -	d2	=	Rolling resistance (N) = 3150
B = 140	Dynamic carrying capacity (N) = 3000		s = 11
b1 = 105	H = 240		Type = RE.F8-200-SBF-N
b2 = 105	I1 = 73		Wight (g) = 2330
b3 = 56	I2 = 85		
Code = 450621	I3 = 50		
D = 200	L = 110		
d1 =	R = 156		